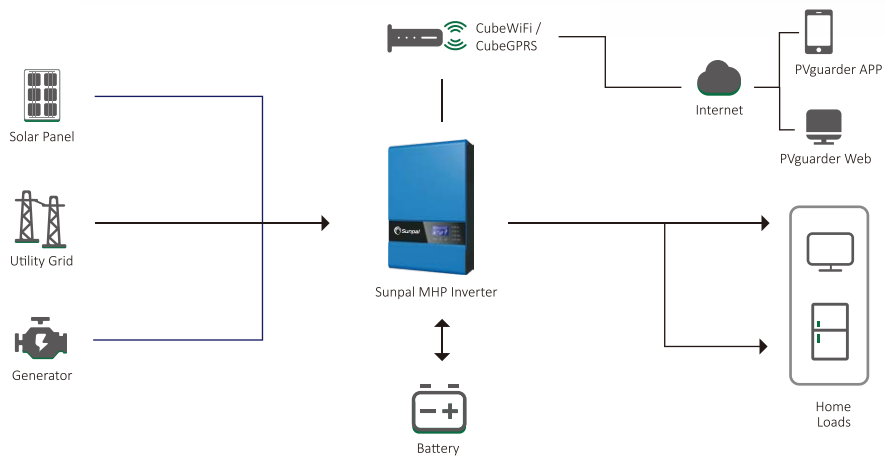


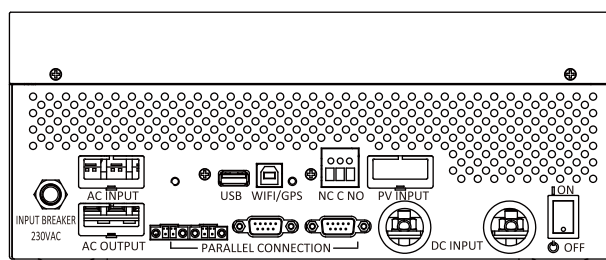
Sunpal MHP Series

Sunpal MHP series off grid solar inverter is integrated with a MPPT solar charge controller, a high frequency pure sine wave inverter and a UPS function module in one machine. Remote monitoring is available by using CubeWiFi / CubeGPRS monitoring kit.



MAIN FEATURES

- Configurable AC/ solar input priority
- Compatible to mains voltage or generator power
- WIFI/ GPRS remote monitoring (optional)
- Configurable charging parameter, suitable for all kinds of rechargeable battery
- Parallel operation available for Sunpal MHP 4KW/5KW



BOTTOM VIEW

SPECIFICATION

Model	Sunpal-MHP 1KVA	Sunpal-MHP 2KVA	Sunpal-MHP 3KVA	Sunpal-MHP 4KVA	Sunpal-MHP 5KVA
Battery Voltage	12 VDC	24 VDC	24 VDC	48 VDC	48 VDC
INVERTER OUTPUT					
Rated Power	1000VA/ 1000W	2000VA/ 2000W	3000VA/ 3000W	4000VA/ 4000W	5000VA/ 5000W
Parallel Capability	No	No	No	Yes, 6 units	Yes, 6 units
AC Voltage Regulation (Batt. Mode)	230VAC ± 5%@ 50/60Hz				
Surge Power	2000VA	4000VA	6000VA	8000VA	10000VA
Efficiency (Peak)	90%-93%	93%	93%	93%	93%
Waveform	Pure sine wave				
MPPT SOLAR CHARGER					
Maximum PV Array Power	500 W	1800W	1800W	4500W	4500W
MPPT Voltage Range	15VDC~ 80VDC	30VDC ~ 80VDC		60VDC ~115VDC	
Maximum PV Array Open Circuit Voltage	100VDC			145VDC	
Maximum Solar Charge Current	25A	50A	50A	80A	
Maximum Efficiency	97%				
AC CHARGER					
Charge Current	20A	30A		60A	
AC Input Voltage	230 VAC				
Selectable Voltage Range	170-280 VAC (For Personal Computers); 90-280 VAC (For Home Appliances)				
Frequency Range	50 Hz/60 Hz (Auto sensing)				
AC BYPASS					
Transfer Time	10 ms (For Personal Computers); 20 ms (For Home Appliances)				
PHYSICAL					
Dimension, D x W x H (mm)	95 x 240 x 316	100 x272 x385		130 x 295 x 455	
Net Weight (kgs)	5	7	7	11	11
OPERATING ENVIRONMENT					
Humidity	5% to 95% Relative Humidity(Non-condensing)				
Operating Temperature	0°C - 55°C				
Storage Temperature	-15°C - 60°C				

